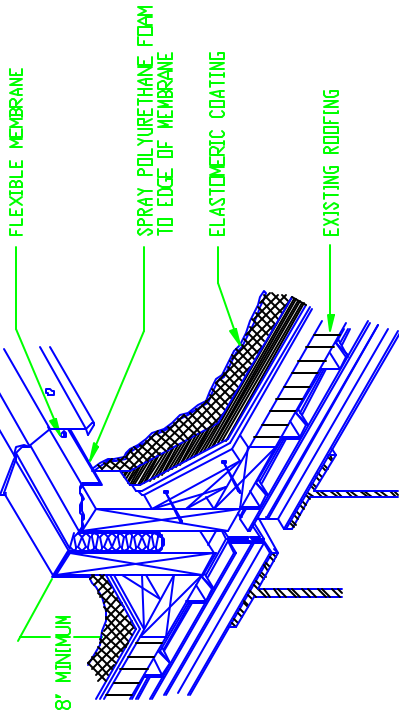


PUF-17

REMEDIAL
EXPANSION JOINT

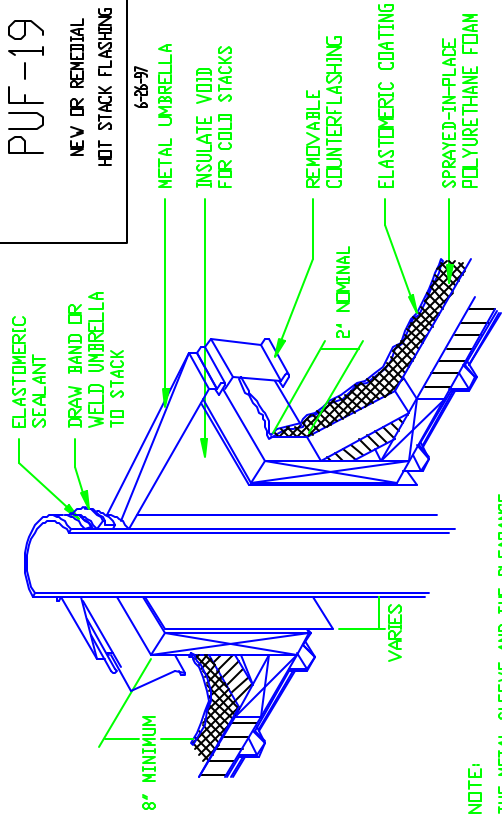
6-28-97



PUF-19

NEW OR REMEDIAL
HOT STACK FLASHING

6-28-97

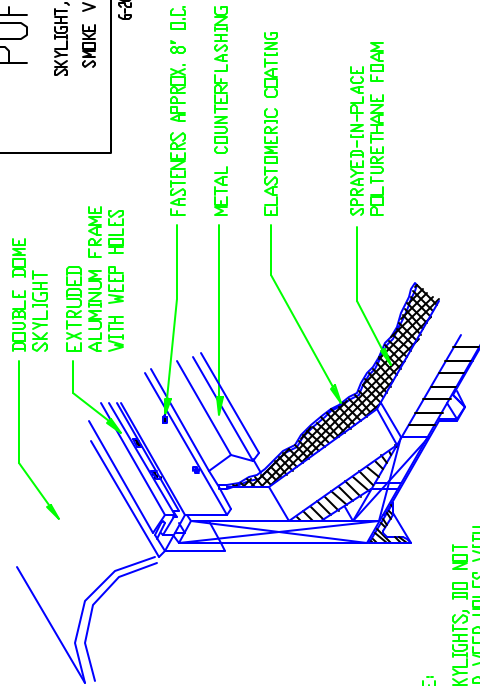


NOTE:
THE METAL SLEEVE AND THE CLEARANCE
NECESSARY WILL DEPEND ON THE TEMPERATURE
OF THE MATERIAL HANDLED BY THE STACK.

PUF-18

SKYLIGHT, HATCH OR
SMOKE VENT CURB

6-28-97

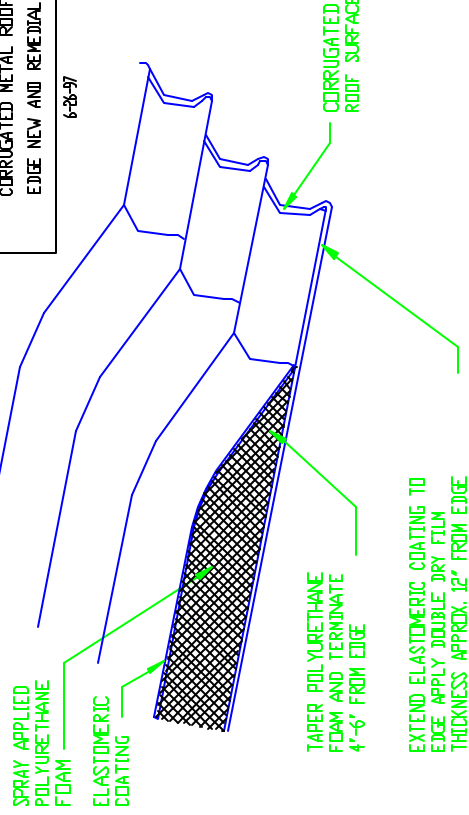


NOTE:
ON SKYLIGHTS, DO NOT
COVER WEEP HOLES WITH
POLYURETHANE FOAM OR
COATING.

PUF-20

CORRUGATED METAL ROOF
EDGE NEW AND REMEDIAL

6-28-97



EXTEND ELASTOMERIC COATING TO
EDGE. APPLY DOUBLE DRY FILM
THICKNESS APPROX. 1/2" FROM EDGE.

